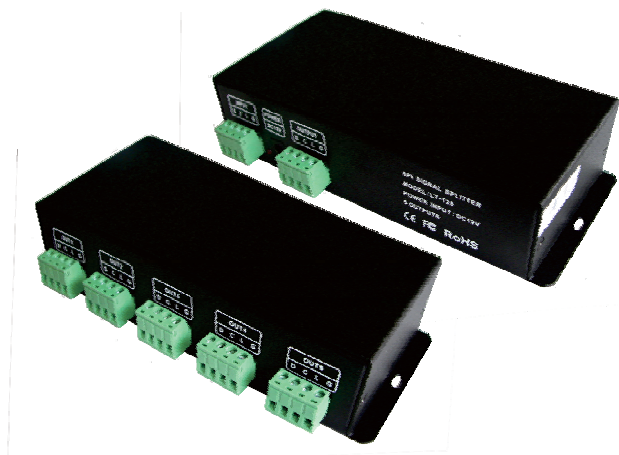


# LT-125 5CH SPI Signal Amplifier



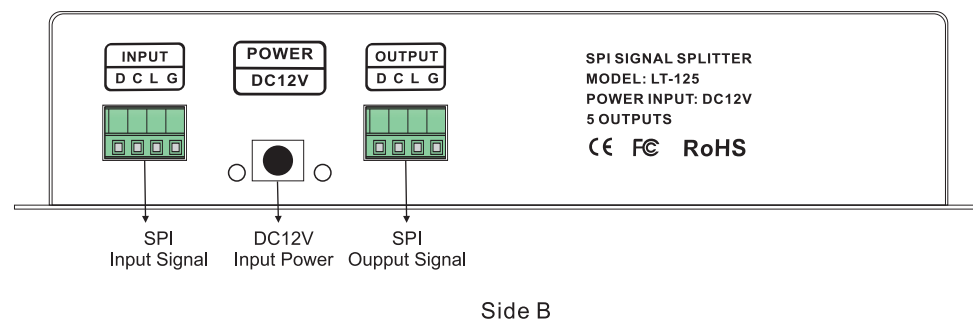
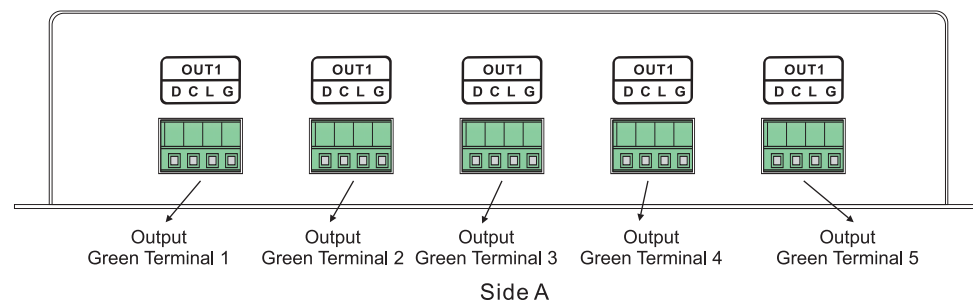
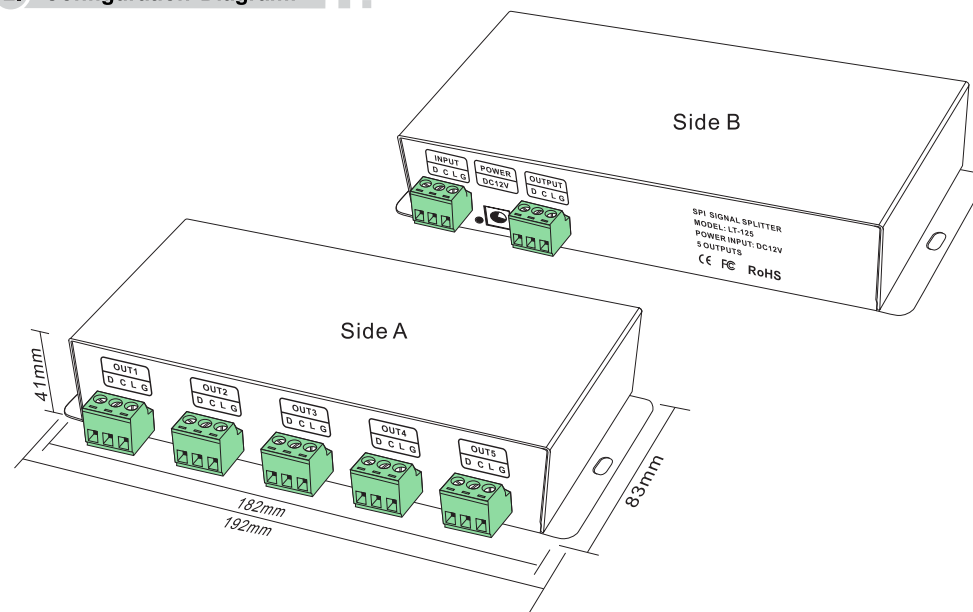
LT-125 SPI amplifier can realize SPI (TTL) signal's expansion, amplification and distribution. Especially suitable for multi-channel sync control projects. It can copy the changes of one channel LEDs to others, so you can connect more hundreds of LEDs than before by install several signal amplifiers, and save lots of money on the project.

LT-125 SPI signal amplifier is full compatibility. can be used to expand all manufacturers' SPI(TTL) signal controller and lamp's signal in market. And It can connect with SPI(TTL) signal of all ICs .

## 1. Product Parameter:

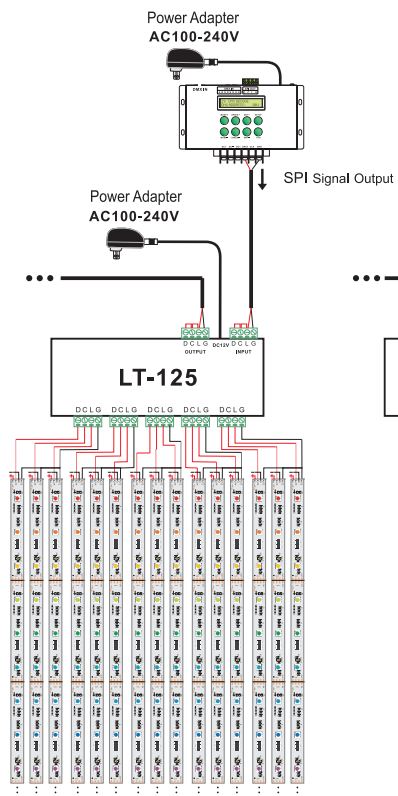
LT-125	
Input Voltage	DC12V(with an adapter to convert AC100-240V to DC12V))
Input Signal	SPI(TTL)
Output Signal	5 Load X 3CH Max 15 CH
Output Teminal	Green Terminal
Working Temp.	-30°C~65°C
Dimension	L192×W93×H41mm
Package Size	L270×W100×H46mm
Weight(G.W.)	597g

## 2. Configuration Diagram:

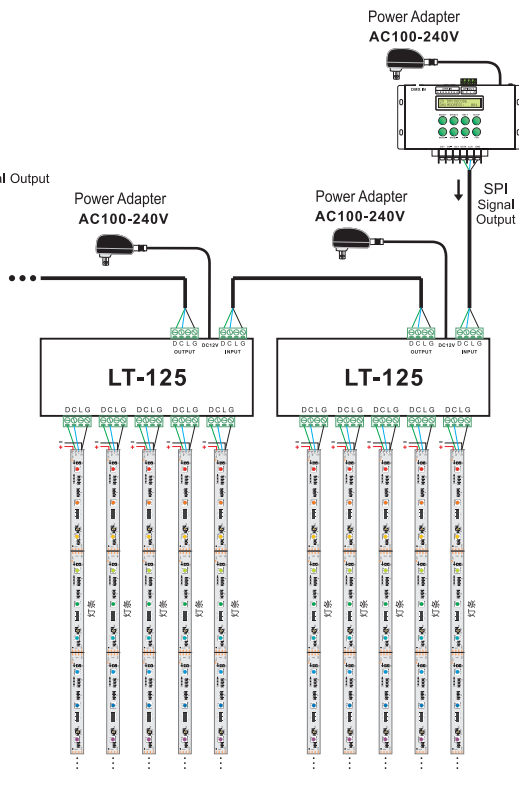


### 3. Wiring Diagram:

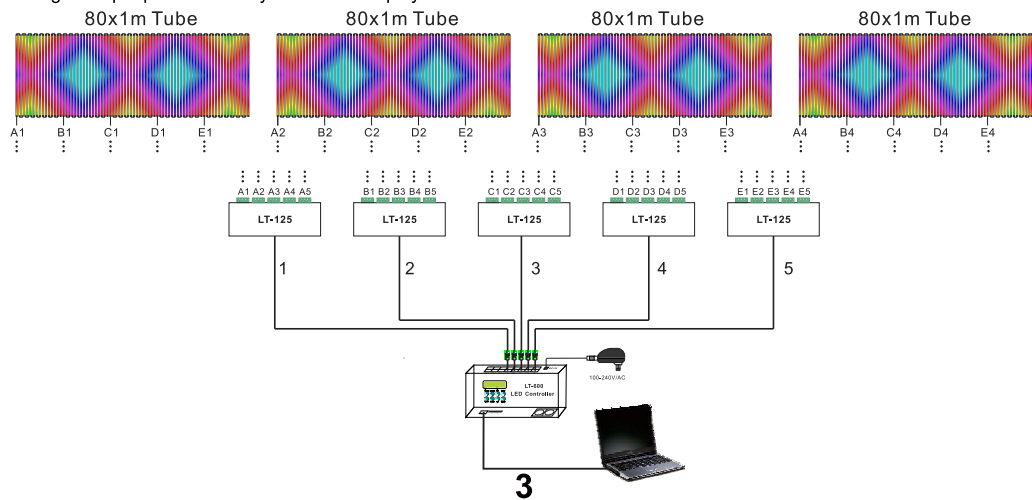
A. e.g: LED Strip signal expansion of WS2811 Single wire



B. e.g: LED Strip signal expansion of WS2801 double wire



C. e.g: Multiple pixel screen synchronous display



### 4. Attention:

- 1) The product shall be installed and serviced by a qualified person.
- 2) This product is non-waterproof. Please avoid the sun and rain. When installed outdoors please ensure it is mounted in a water proof enclosure.
- 3) Good heat dissipation will prolong the working life of the controller. Please ensure good ventilation.
- 4) Please check if the output voltage of any LED power supplies used comply with the working voltage of the product.
- 5) Please ensure that adequate sized cable is used from the controller to the LED lights to carry the current. Please also ensure that the cable is secured tightly in the connector.
- 6) Ensure all wire connections and polarities are correct before applying power to avoid any damages to the LED lights.
- 7) If a fault occurs please return the product to your supplier. Do not attempt to fix this product by yourself.

### 5. Warranty Agreement:

- 1) We provide lifelong technical assistance with this product:
  - A 5-year warranty is given from the date of purchase. The warranty is for free repair or replacement and covers manufacturing faults only.
  - For faults beyond the 5-year warranty we reserve the right to charge for time and parts.
- 2) Warranty exclusions below:
  - Any man-made damages caused from improper operation, or connecting to excess voltage and overloading.
  - The product appears to have excessive physical damage.
  - Damage due to natural disasters and force majeure.
  - Warranty label, fragile label and unique barcode label have been damaged.
  - The product has been replaced by a brand new product.
- 3) Repair or replacement as provided under this warranty is the exclusive remedy to the customer. LTECH shall not be liable for any incidental or consequential damages for breach of any stipulation in this warranty.
- 4) Any amendment or adjustment to this warranty must be approved in writing by Ltech only.

★ This manual only applies to this model. Ltech reserves the right to make changes without prior notice.